

Buddy Bench



School name and colors.



School name, colors and logo.

Buddy Bench Specs - Indoor Features, Construction and Accessories

- Bench Seat and Back – Standard Weight Top Construction – 1 1/8" M3 industrial grade 45# density particle board. Constructed with HPL (decorative laminate) on the top and a balanced black backer on the bottom.
- Edge Options/Materials
 - EdgeGuard™ – Sprayed-on polyurea edge treatment providing superior resistance to moisture, eliminates unsanitary food traps, and is extremely tamper resistant. Edges stay sealed, preventing peeling and chipping. Durable for many years of use. Available on standard weight tops only.

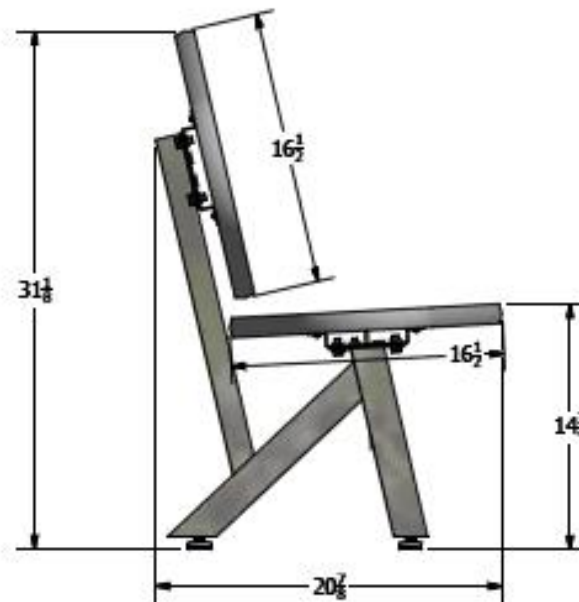
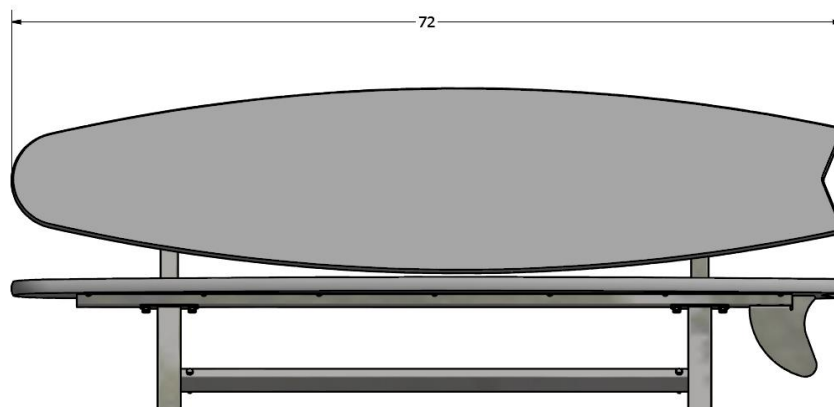


EdgeGuard™

- Laminate options – Custom logo laminate from Wilsonart™. Choice between two graphic orientations to add school name and colors or school name, colors and logo. See Palmer Hamilton Customized Graphics and Logos Form for the Buddy Bench available at www.palmerhamilton.com
- Frame – Welded 2" x 2" steel tubing x 11 gauge wall (.12").
- Mounting Plate – 5' x 4 1/2" 10 gauge steel plate which is welded to vertical tubing.
- Glide - 3/8-16 threaded stem with 1-3/8" round nylon base. Steel housing PH p/n 41072.
- Warranty – See Palmer Hamilton Warranty at www.palmerhamilton.com

Product Dimensions

- Total Height – 31 1/8"
- Total Width – 20 7/8"
- Total Length – 72"
- Seat Height – 14 3/4"
- Seat Depth – 16 1/2"
- Seat Back Height – 16 1/2"



Buddy Bench Specs 03272017