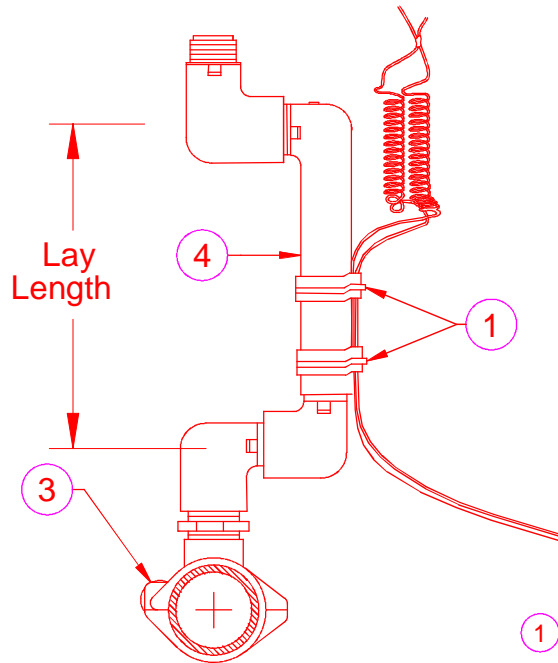
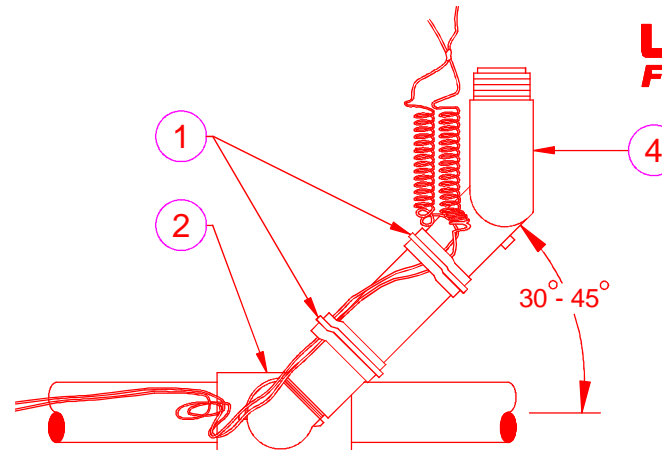


**LASCO<sup>®</sup>**  
Fittings, Inc.



12" SWING JOINT  
(TAP'D SADDLE MOUNT)  
LASCO UNITIZED



12" SWING JOINT  
(TEE/EL MOUNT)  
LASCO UNITIZED

NOTE: PUT A X IN THE  
BOX TO DETERMINE SIZE  
AND INLET/OUTLET ENDS  
WANTED.

- ① WIRE HOLDERS FOR LASCO UNITIZED SWING JOINT.
- ② LASCO SERVICE TEE OR ELBOW, SCH 40. (SIZE PER PLAN) AND SIZE LASCO TEE OR ELBOW BASED ON MIPT INLET SIZE OF THE SWING JOINT.
- ③ TAP'D SADDLE, LASCO.
- ④ UNITIZED SWING JOINT, LASCO.

LASCO WIRE HOLDER MODEL NUMBERS:

- Lasco Wire Holder for the 1" Swing Joint, Part #G004-010
- Lasco Wire Holder for the 1¼" Swing Joint, Part #G004-012
- Lasco Wire Holder for the 1½" Swing Joint, Part #G004-015

00

LASCO WIRE HOLDER W/UNITIZED SWING JOINT FOR V.I.H

N.T.S.

DETAIL-FILE