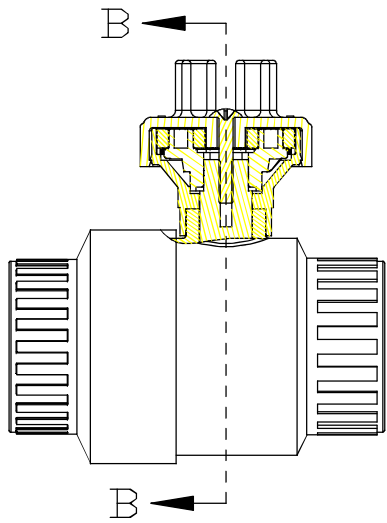
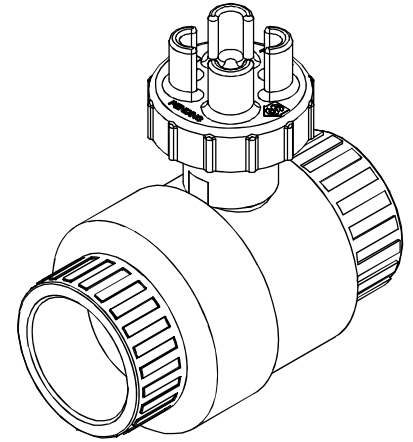
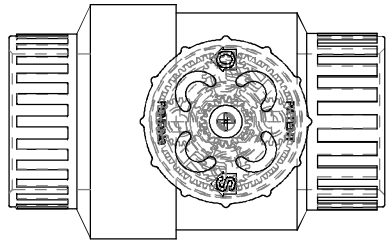
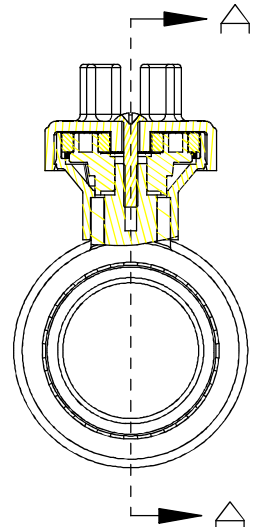


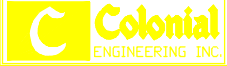
CUSTOMER PART NO.
—



SECTION A-A



SECTION B-B

B UPDATED VIEWS		2-2-07
A RELEASED FOR QUOTE		11-14-06
REV	DESCRIPTION	DATE
ENGINEERING REVISIONS		
TITLE SLOW CLOSE VALVE ASSEMBLY (2" SUPER-C)		 Colonial ENGINEERING INC. COLONIAL ENGINEERING, INC. 6400 Corporate Ave Portage, MI 49002
DESIGNED BY PB	DWG SIZE B	
DRAWN BY E.J.L.	SHEET NO. 1 OF 1	<small>This drawing is the property of Colonial Engineering, Inc. It is furnished to you for confidential information purposes only and it not to be disclosed to anyone else or reproduced or used for manufacturing purposes without the express written permission of Colonial Engineering.</small>
REVIEWED BY PB	SCALE 1/2	
DATE 11-14-06	CONTR. UNITS INCH	DRAWING NO. K25050