

- Handle features a cross to accept standard sprinkler key wrench (or Lasco plastic key Valve Key-1) for buried service actuation.
- Full port design - same I.D. as Sch 80 pipe minimizes turbulence at high flow rates.
- PVC with EPDM O-rings and PTFE seats.
- Alternative to brass or bronze gate valves for irrigation uses.
- Thermoplastic construction eliminates process and atmospheric corrosion.
- True Union End Connectors allow for easy and quick removal from line.
- Floating ball design for positive seal. Dual Stem o-rings for extra protection against leaks.
- End connections meet ASTM requirement: PVC D 2467. Valves are supplied with socket and FIPT connectors
- Repairable: A complete inventory of repair parts is readily available.
- Assembled in USA.

Part Number:  
Valve Key 1



Designed for turf irrigation, and many other applications. Patented gear drive thermoplastic handle mechanism allows for a 360° rotation of the handle to achieve a 90° turn of the ball. This gradual open/close actuation greatly reduces the opportunity for shock or hammer experienced by the sudden open/closure of a standard quarter-turn ball valve.

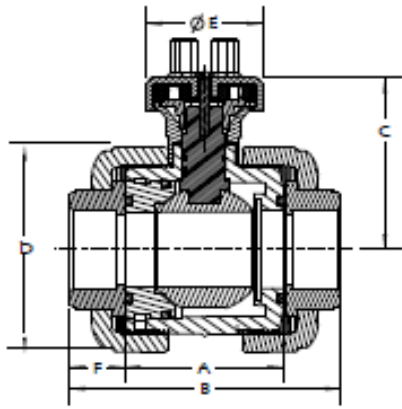


R-Series also available with purple operating-nut / handle for use with Reclaimed Water (see part numbers on opposite page)



Available through:

**LASCO**<sup>®</sup>  
**Fittings, Inc.**



Dimensions (in.)

	1"	1 - 1/4" & 1 - 1/2"	2"	2 - 1/2"	3"
A	2.79	3.38	4.20	5.85	5.85
B	5.38	6.49	7.75	11.51	10.31
C	4.00	5.00	5.54	7.00	7.00
D	2.84	4.09	5.30	7.25	7.25
E	2.88	2.88	2.88	2.88	2.88
F	1.78	1.78	1.78	2.50	1.94

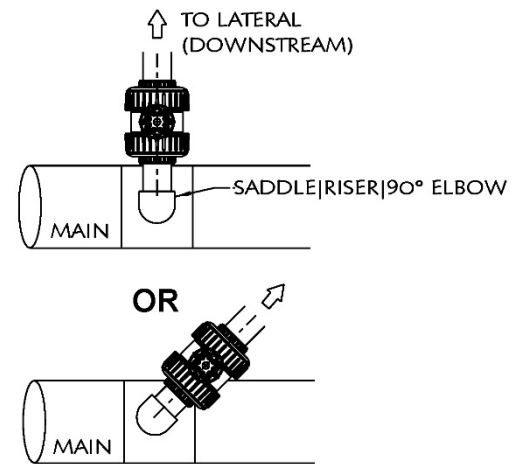
PART NUMBERS FOR VALVES

Size	Part Number	"R" Series with Purple operating nut for Reclaimed water
Soc & Thrd End Connectors		
1"	V10101N-SC	V10101N-SC-R
1-1/4"	V14101N-SC	V14101N-SC-R
1-1/2"	V17101N-SC	V17101N-SC-R
2"	V20101N-SC	V20101N-SC-R
Socket x Socket		
2-1/2"	V27101N-SC	V27101N-SC-R
3"	V30101N-SC	V30101N-SC-R
Thread x Thread		
2-1/2"	V27111N-SC	V27111N-SC-R
3"	V30111N-SC	V30111N-SC-R

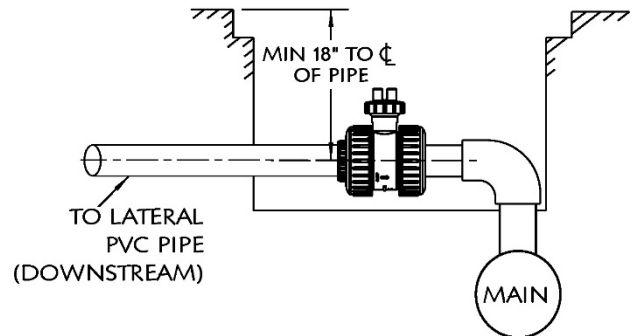
De-rate pressure for elevated process temps per the chart below:

Temp (°F)	PVC
73	1.00
80	0.88
90	0.75
100	0.62
110	0.50
120	0.40
130	0.30
140	0.22
150	NR

Recommended Installation Layout



Recommended Burial Depth



INSTALLATION PRECAUTIONS:

The following should be observed when installing onto the discharge side of a pump:

- Never install the valve directly to a pump, a bend or an elbow.
- Slo-Close valves are designed for use in the Open or Closed position
- Moderate throttling (valve closed slightly)
- Throttling is not recommended for Heavy-Turf Irrigation or other systems with high flow rates

Do not use with compressed air or gas.

