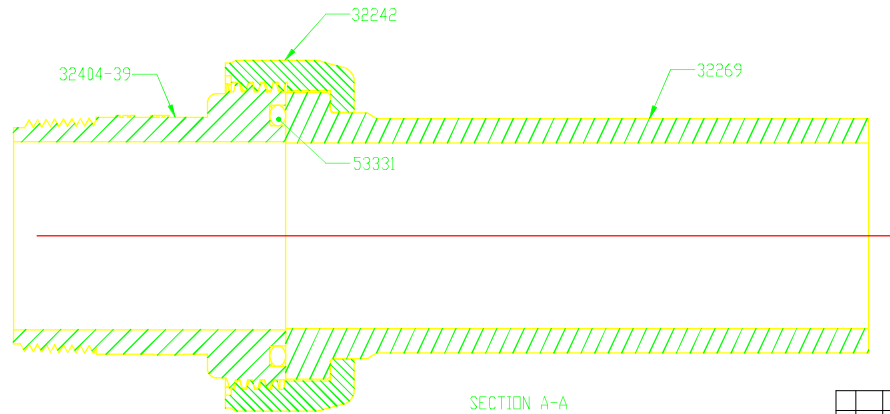
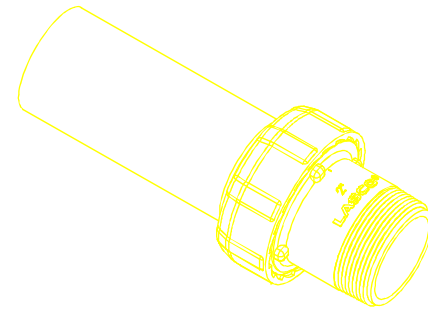
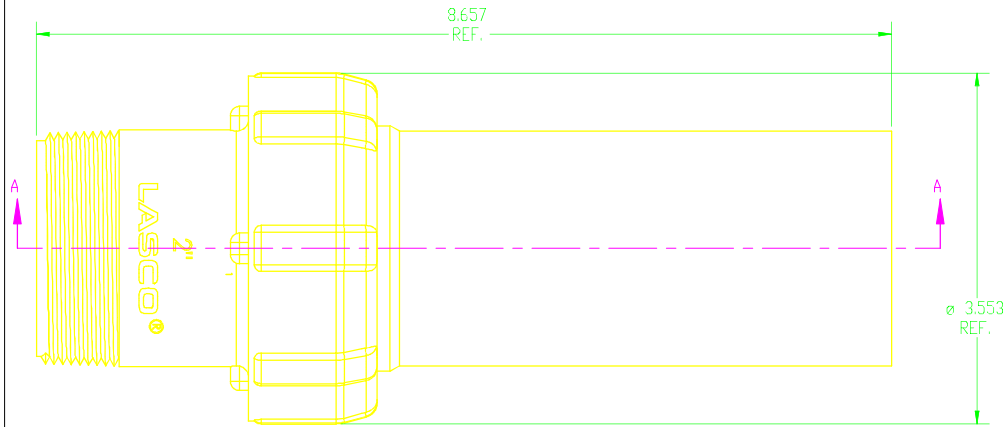


THIS DRAWING IS THE PROPERTY OF ALBERTS INDUSTRIES - LASCO FITTINGS, INC. AND IS SUBMITTED WITH THE UNDERSTANDING THAT IT SHALL NOT BE REPRODUCED, COPIED, LOANED OR OTHERWISE DIRECTLY OR INDIRECTLY, NOR USED IN ANY MANNER, OR REFERRED TO AS A SOURCE OF INFORMATION, WITHOUT THE WRITTEN PERMISSION OF ALBERTS INDUSTRIES - LASCO FITTINGS, INC. OR FOR ANY OTHER PURPOSE. ANY UNAUTHORIZED USE OF THIS DRAWING WITHOUT THE WRITTEN PERMISSION OF ALBERTS INDUSTRIES - LASCO FITTINGS, INC. IS PROHIBITED.



REV.	APP.	DATE

2" HDPE x 2" MPT UNION (HDPE x SCH. 80 PVC-1)			
DRAWN BY:	J. KING	DATE:	2/24/2012
		SCALE:	1:1
TOLERANCES:			
.XX = ±0.015	.XXX = ±0.005	ANGULAR = ±1/2°	
MATERIAL:		APPROVED BY: D.Mc.	
PART NO.:	P896-020	DRAWING NO.:	P896-020
		REV.:	