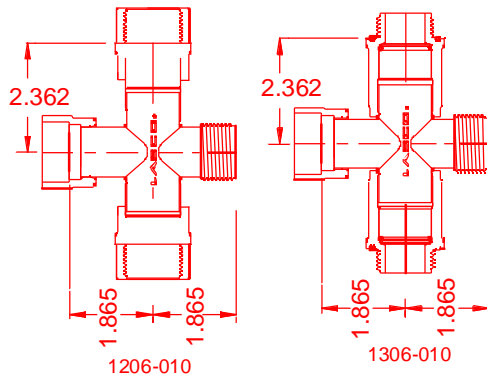


ELBOW	
PART NUMBER	NOMINAL SIZE (IN)
1206-010	MTHD x FVConn
1306-010	MTHD x MVConn

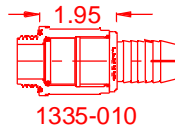
**LASCO<sup>®</sup>**  
Fittings, Inc.

**ULTRA**  
*zone*  
by LASCO Fittings

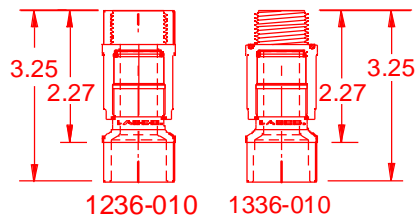
1" Female & 1" Male  
Valve Connectors  
Ancillary Fittings



CROSS	
PART NUMBER	NOMINAL SIZE (IN)
1221-010	Slip x MTHD x FVConn
1321-010	1" Slip x MTHD x MVConn

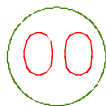


ADAPTER	
PART NUMBER	NOMINAL SIZE (IN)
1335-010	1" INSERT x MVCONN
*SEE CATALOGUE FOR ALL ADAPTERS	



VALVE ADAPTER	
PART NUMBER	NOMINAL SIZE (IN)
1236-010	1" Slip x FVConn
1336-010	1" Slip x MVConn

NOTE: SEE LASCO CATALOGUE FOR ADDITIONAL LIST OF FITTINGS FOR THE MANIFOLD SYSTEM.



LASCO ULTRA ZONE MANIFOLD FITTINGS

N.T.S.

DETAIL-FILE