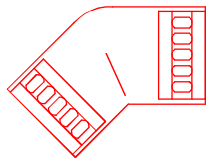


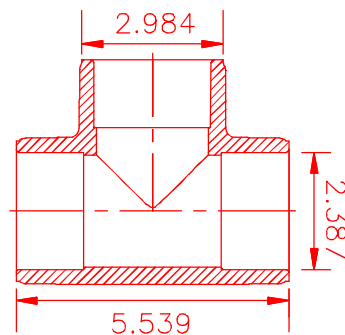
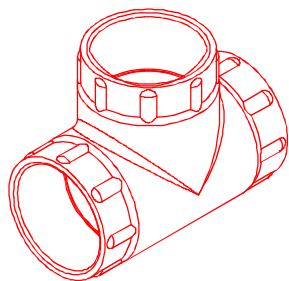
SURGE GUARD ELBOW 90°		
(SOCKET x SOCKET)		
Part No	Nominal Size in (In)	
306-020	2 - Inch	
306-249	2 x 1 - Inch	
306-250	2 x 1 1/4 - Inch	
306-251	2 x 1 1/2 - Inch	

OUR PATENTED LASCO SURGE GUARD FITTINGS WERE DESIGNED TO BE THE STRONGEST AND MOST FORGIVING PVC COMMERCIAL AND GOLF COURSE FITTINGS WE HAVE EVER PRODUCED.

WE NOW HAVE A THIRD PARTY TESTING RESULTS TO VERIFY: THE LASCO SURGE GUARD TEES ARE 10X STRONGER THAN SCH 80 TEES BASED ON REPEAT HIGH STRESS FAILURE TESTING FROM: THE CENTER FOR IRRIGATION TECHNOLOGY (CIT) AT FRESNO STATE UNIVERSITY.



SURGE GUARD ELBOW 45°		
(SOCKET x SOCKET)		
Part No	Nominal Size in (In)	
317-020	2 - Inch	



SURGE GUARD TEE		
(SOCKET x SOCKET x SOCKET)		
Part No	Nominal Size in (In)	
301-020	2 - Inch	
301-249	2 x 1 - Inch	
301-250	2 x 1 1/4 - Inch	
301-251	2 x 1 1/2 - Inch	