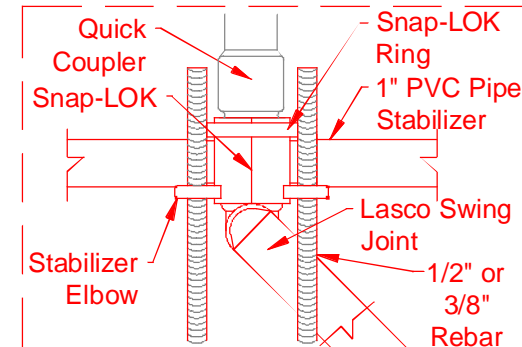


- 1 FINISH GRADE.
- 2 PLANT MATERIAL.
- 3 VALVE BOX.
- 4 APPROVED BACKFILL.
- 5 QUICK COUPLER KEY.
- 6 QUICK COUPLER HOSE SWIVEL.
- 7 QUICK COUPLER VALVE SEE PLAN LEGEND FOR SIZE.
- 8 LASCO STANDARD UNITIZED SWING JOINT, WITH SNAP-LOK STABILIZER ELBOW OUTLET.  
NOTE: INLET IS MIPT, OUTLET IS BRASS MIPT w/SNAP LOK.
- 9 3/8" OR 1/2" x 24" REBAR (2) REQUIRED.
- 10 MAINLINE PIPE, PVC - SEE LEGEND.
- 11 1" PVC PIPE STABILIZER.
- 12 LASCO SERVICE TEE OR ELBOW, SCH40. (SIZE PER PLAN), SIZE TEE/ELBOW FIPT OUTLET BASED ON MIPT INLET SIZE OF THE SWING JOINT.



LASCO SWING JOINT W/SNAP-LOK, MIPT INLET

- 3/4" Q.C.V., WITH LASCO 1" SWIING JOINT WITH 3/4" MIPT BRASS OUTLET, MODEL #G13T-212.
- 1" Q.C.V., WITH LASCO 1" SWIING JOINT WITH 1" MIPT BRASS OUTLET, MODEL #G13S-212.
- 1 1/2" Q.C.V., WITH LASCO 1 1/2" SWING JOINT WITH 1 1/2" MIPT BRASS OUTLET, MODEL #G33S-212.

00

LASCO SWING JOINT FOR Q.C.V., MIPT X SNAP LOK

N.T.S.

DETAIL-FILE