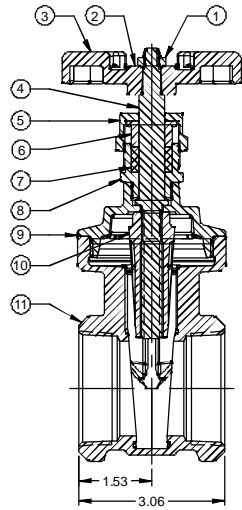
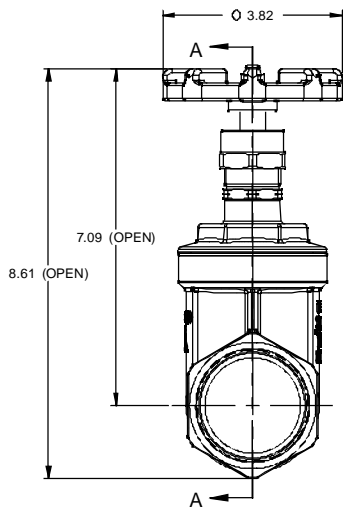


3003801



SECTION A-A

ITEM	PART #	DESCRIPTION	MATERIAL	QTY
1	019000	HANDLE/EL,NUT	BRASS	1
2	05000	W/KEY PLATE	ALUMINUM	1
3	100000	HANDLE/EL	STAINLESS STEEL	1
4	048700	STEM	ASTM B711 020400	1
5	027100	PACKING NUT	ASTM B718 C0000	1
6	003700	GLAND	ASTM B718 C0000	1
7	081200	PACKING	GRAPHITE	1
8	020500	PACKING BOX	ASTM B718 C0000	1
9	038400	BONNET	ASTM B718 C0000	1
10	040700	BOLTS	ASTM B718 C0000	1
11	020400	BODY	ASTM B718 C0000	1
12	008100	HANHTAG	POLYETHYLENE	1

*ITEMS NOT SHOWN

NOTE:

1. MODEL 102T
2. ESTIMATED FINISHED WEIGHT: 5.876 LBS.
3. MEET MSS SP-80 STANDARD.
4. HANGTAG (1936105) ASSEMBLED UNDER HANDLE.
5. LOCTITE 569 TO BE APPLIED TO BONNET AND HUB THREADS.
6. MAXIMUM ALLOWABLE LEAK RATE: 36 SCCM

NOTE: This drawing and the subject matter disclosed therein is the property of Conbraco Industries, Inc. and is not to be copied, used, appropriated or disclosed to others without the expressed written permission of Conbraco Industries, Inc.



NAME: VLV, GATE, 2", NPT, NRS, CL 125.30 SERIES		REV: B	
MATERIAL: AS NOTED		DATE: 05/27/11	
EXP. NO.	SCALE: NTS	DRN: WGH	DATE: 05/05/10
CHKD: WGH	APP'D: GDG	NO. 3003801	REV. B

B	ADDED NOTES 5 & 6	M11900	CRT	03/17/11
A	NEW RELEASE	M11535	WGH	05/27/10
REV.	CHANGE DESCRIPTION	ECN NO.	BY	DATE