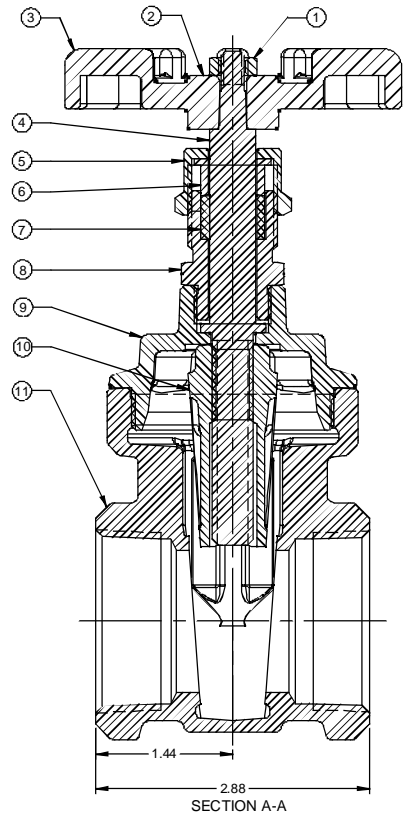
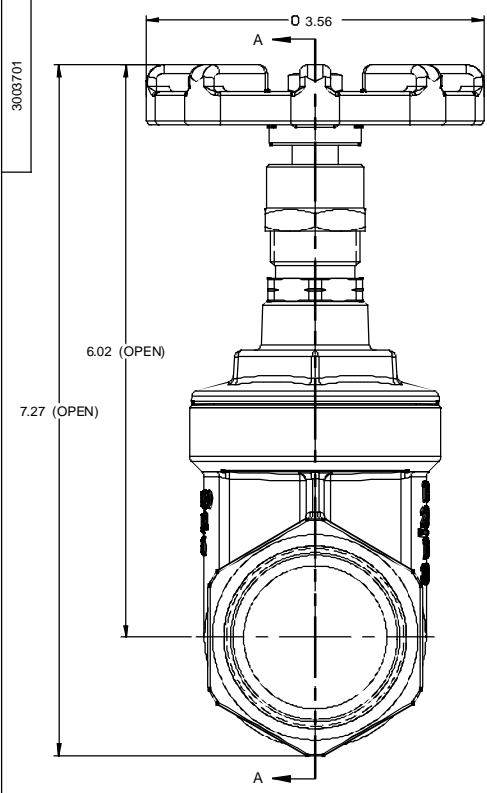


30.03701



ITEM	PART #	DESCRIPTION	MATERIAL	QTY
1	014400	HANDLE, NUT	BRASS	1
2	082700	W/REPLATE	ALUMINUM	1
3	020000	W/NOVEL	INCL. ASSEMBLY	1
4	046400	STEM	ASTM A182-CR304	1
5	020800	PACKING NUT	ASTM A182-CR304	1
6	033600	GLAND	ASTM A182-CR304	1
7	021000	PACKING	GRAPHITE	1
8	032000	PACKING BOX	ASTM A182-CR304	1
9	032000	BONNET	ASTM A182-CR304	1
10	040800	DISC	ASTM A182-CR304	1
11	020400	BODY	ASTM A182-CR304	1
12	082100	W/NOVEL	POLYETHYLENE	1

*ITEMS NOT SHOWN

C	ADDED NOTES 5 & 6	M11980	CRT	03/17/11
B	1932700 WAS 1932900	M11750	WGH	01/17/10
A	NEW RELEASE E	M11532	CRT	05/13/10
REV.	CHANGE DESCRIPTION	ECN NO.	BY	DATE

- NOTE:
- MODEL 102T
 - ESTIMATED FINISHED WEIGHT: 3.991 LBS.
 - MEET MSS SP-80 STANDARD.
 - HANGTAG (1936105) ASSEMBLED UNDER HANDLE.
 - LOCTITE 569 TO BE APPLIED TO BONNET AND HUB THREADS.
 - MAXIMUM ALLOWABLE LEAK RATE: 28 SCCM

NOTE: This drawing and the subject matter disclosed therein is the property of Conbraco Industries, Inc. and is not to be copied, used, appropriated or disclosed to others without the expressed written permission of Conbraco Industries, Inc.



NAME: VLV, GATE, 1-1/2", NPT, NRS, CL 125, 30 SERIES			
MATERIAL: AS NOTED			
EXPR. NO.	SCALE: NTS	DRN: CRT	DATE: 05/05/10
		CHKD: WGH	APP'D: GDG
		NO. 3003701	REV. C